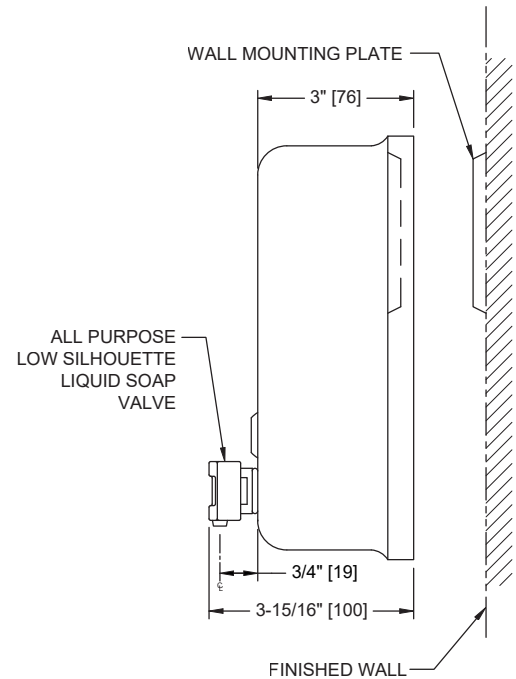
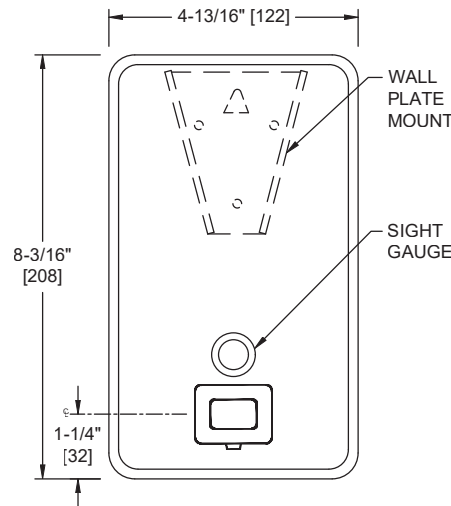
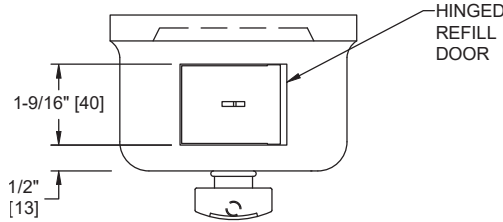


Soap Dispenser (Liquid) Vertical – Matte Black Powder Coated Stainless Steel – Surface Mounted

Soap Dispensers

MasterFormat Section 10 28 13



Scan for Information



SUSTAINABILITY/LEED

MR 4.1 (1) MR 6 (1) EQ 4.2 (1)
MR 4.2 (1) EQ 4.1 (1) EQ 4.4 (1)

NOTE:
ALL DIM'S INCH [MM]
ILLUSTRATION FOR REF ONLY AND NTS
SEE SOAP DISPENSER CARE & MAINTENANCE
DOCUMENT ONLINE FOR CLEANING

PRODUCT OVERVIEW

40 fl. oz. (1.2 L) capacity soap dispenser in Matte Black Powder Coated Stainless Steel comes with an all purpose valve and a tamper-resistant refill indicator. Push button to dispense soap. Unit is refilled through hinged door at top requiring special key (supplied) to open. Soap tank will continue to feed properly until soap level is below valve intake port. Tank supply is replenished manually. Soap Requirements: Proper usage of this dispenser requires, that only soap within the following range for viscosity and pH may be used. Viscosity Range (mPa•s or cP): 100 – 3500 pH Range: 5.5 ~ 8.5. Soaps containing reportable salts, chlorides and alcohols should be avoided.

KEY FEATURES & SPECIFICATIONS

- Vertical space saving footprint
- All purpose push type valve
- Type 304 Stainless Steel - Matte Black Powder Coated
- Surface Mounted
- Manual Push Button Operation
- Liquid Soap - 40 oz. (1.2 L) Capacity

OPERATION & MAINTENANCE

Push button to dispense soap. Unit is refilled through hinged door at top requiring special key (supplied) to open. Soap tank will continue to feed properly until soap level is below valve intake port. Tank supply is replenished manually on cycle determined by maintenance needs.

TECHNICAL INFORMATION / PRODUCT PROPERTIES

Property	Value
Dimensions	4-13/16" x 8-3/16" x 3-15/16" [122 x 208 x 100] Spout projection: 3/4" [19]
Construction	Type 304 Stainless Steel - Matte Black Powder Coated
Mounting	Surface Mounted
Options	N/A

INSTALLATION

Unit is surface mounted to wall or partition with a wall mounting plate (supplied) and screws (by others). Unit is secured to interlocking wedge bracket and locked in place by a locking screw (supplied) installed through hinged refill door. Recommended installation for general utility is 42" [1066] Above Finished Floor (AFF) or 6" [152] min above washbasin. For compliance with 2010 ADA Accessibility Standards and 2015 ABA Standards, install unit with centerline of valve button no higher than 48" [1219] AFF.

WARRANTY

One (1) Year from date of Invoice